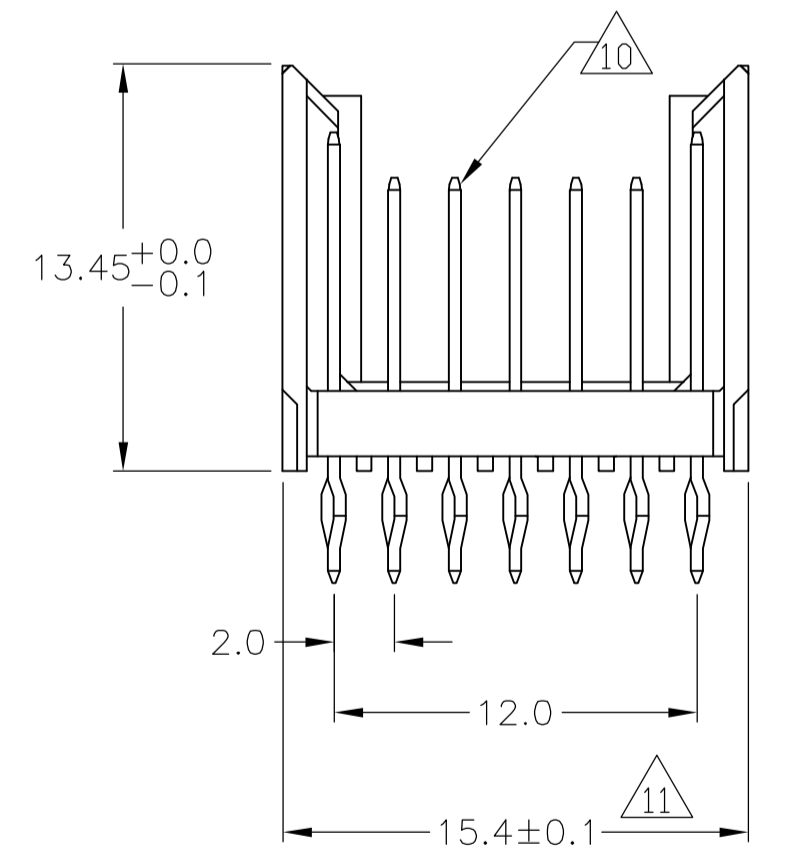
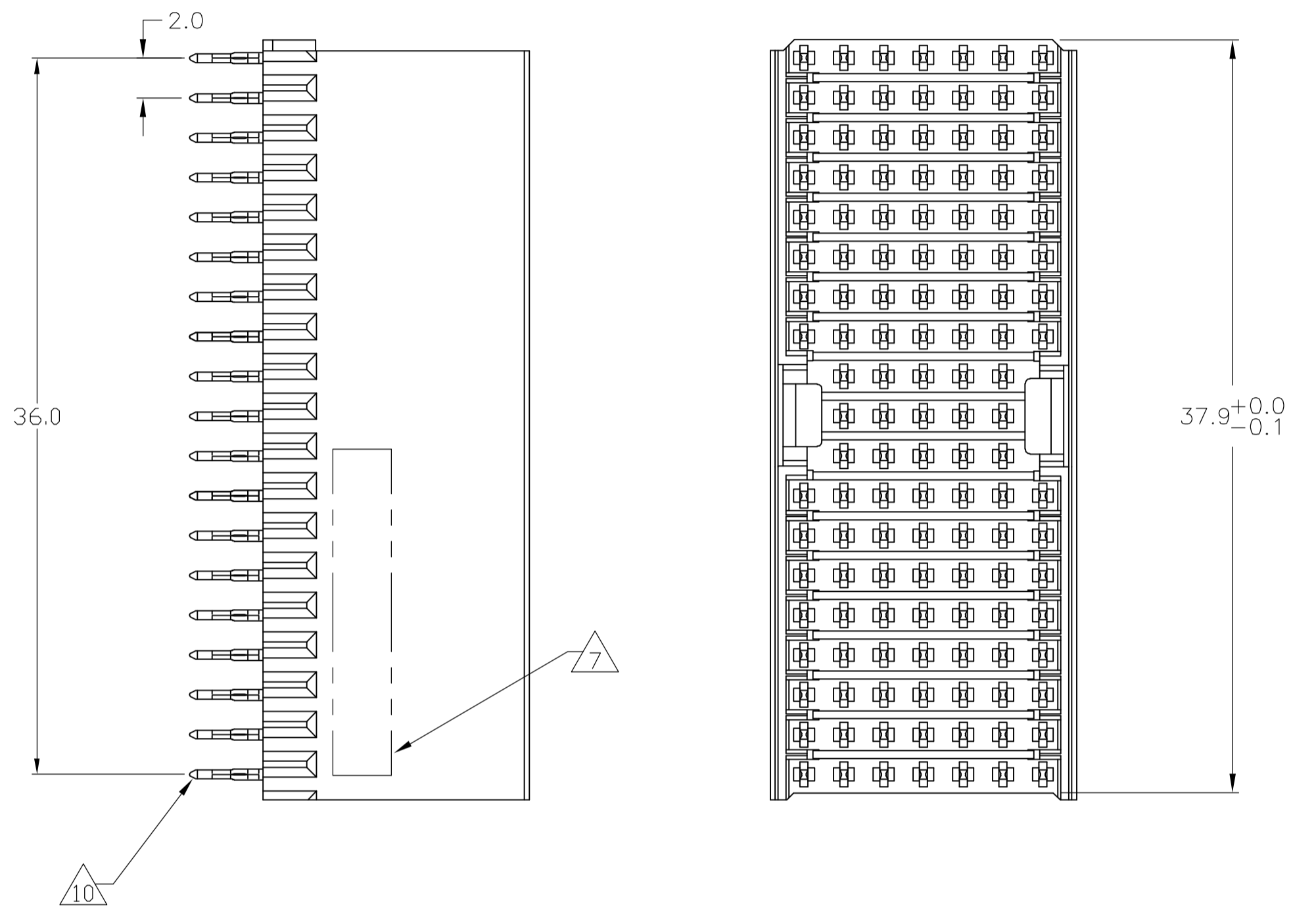
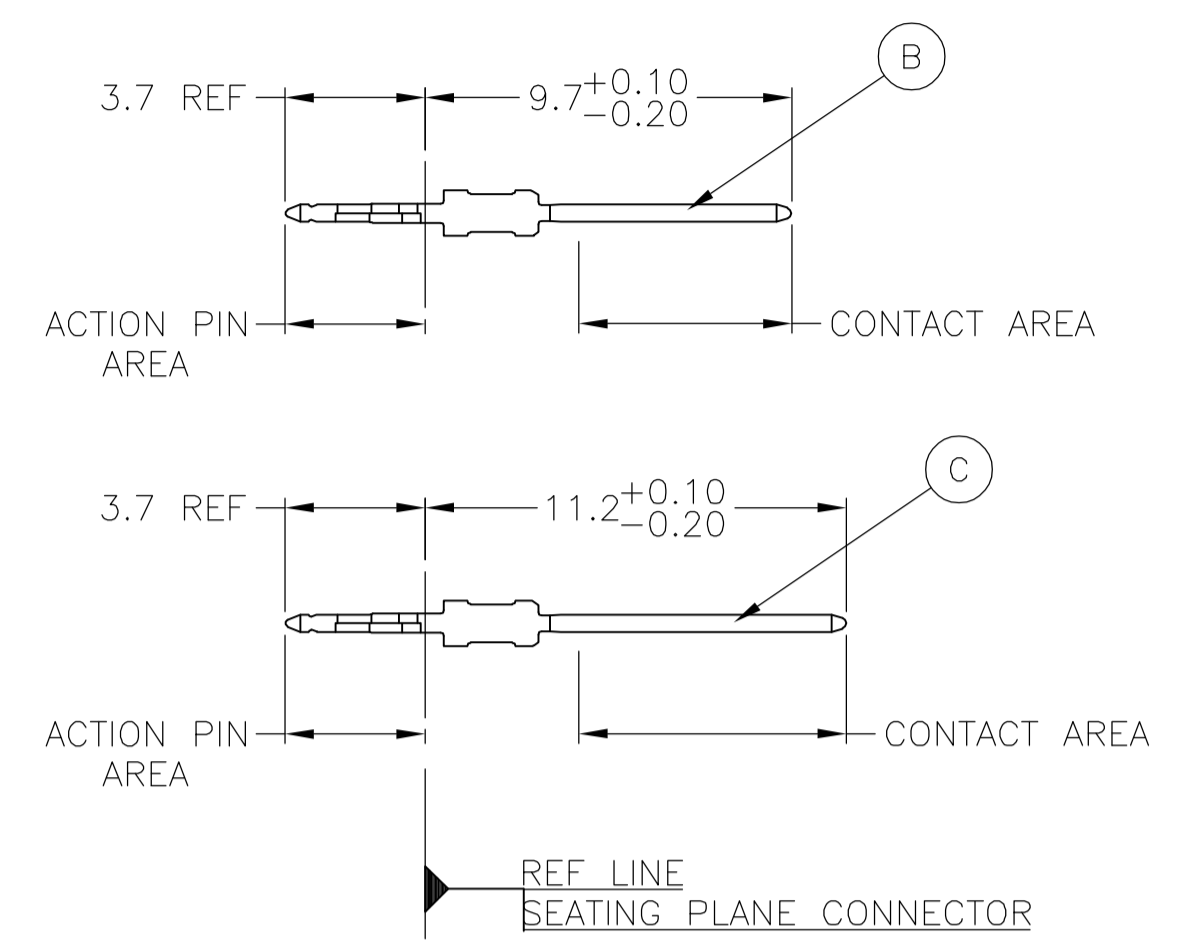


CONNECTOR ASSEMBLY
 EXAMPLARY LOADED



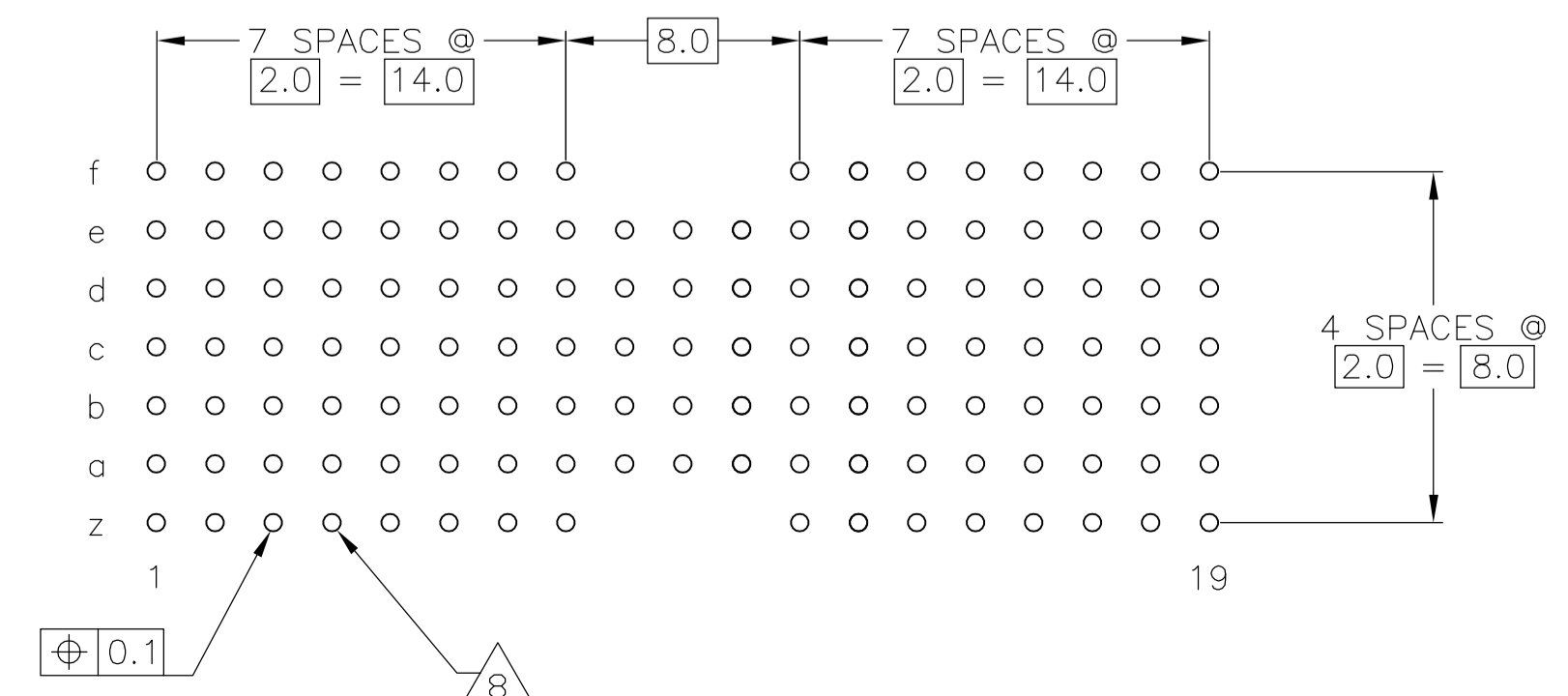
CONTACT DIMENSIONS
 SCALE 5:1



CONTACT LAYOUT

	z	a	b	c	d	e	f
1	C	B	B	B	B	B	C
2	C	B	B	B	B	B	C
3	C	B	B	B	B	B	C
4	C	B	B	B	B	B	C
5	C	B	B	B	B	B	C
6	C	B	B	B	B	B	C
7	C	B	B	B	B	B	C
8	C	B	B	B	B	B	C
9		B	B	B	B	B	
10		B	B	B	B	B	
11		B	B	B	B	B	
12	C	B	B	B	B	B	C
13	C	B	B	B	B	B	C
14	C	B	B	B	B	B	C
15	C	B	B	B	B	B	C
16	C	B	B	B	B	B	C
17	C	B	B	B	B	B	C
18	C	B	B	B	B	B	C
19	C	B	B	B	B	B	C

RECOMMENDED PCB-HOLE LAYOUT
 COMPONENT SIDE SHOWN



PLATED THRU HOLES PARAMETERS
 REFERENCE APPLICATION SPECIFICATION

2 6 12	1-5646532-9
2 5 12	5646532-9
2 4 4	5646532-4
2 3 3	5646532-1
FINISH	PART NUMBER

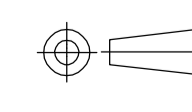
THIS DRAWING IS A CONTROLLED DOCUMENT.

DIMENSIONS: mm	TOLERANCES UNLESS OTHERWISE SPECIFIED:	DIN B CARBO 29JUL05	29JUL05	tyco Electronics	Tyco Electronics Corporation Harrisburg, Pa 17105-3608
0 PLC ± -	1 PLC ± 0.1	CHK G SKIPPER 29JUL05	29JUL05	NAME G SKIPPER	MALE ASSEMBLY, Z-PACK 2mm HM, TYPE A/B
2 PLC ± -	3 PLC ± -	APVD G SKIPPER 29JUL05	29JUL05	PRODUCT SPEC	108-19082
4 PLC ± -	ANGLES ± ±	APPLICATION SPEC	114-19029	SIZE	A1
MATERIAL 1	FINISH SEE TABLE	WEIGHT -	100779	DRAWING NO	5646532
		CUSTOMER DRAWING	SCALE 4:1	SHEET 1 OF 2	REV 0

THIS DRAWING IS UNPUBLISHED. RELEASED FOR PUBLICATION
 © COPYRIGHT BY TYCO ELECTRONICS CORPORATION. ALL RIGHTS RESERVED.

LOC		DIST		REVISIONS			
P	LTR	DESCRIPTION	DATE	DN	APVD		
-	-	SEE SHEET 1	-	-	-	-	-

- 1 MATERIAL:
CONTACT: PHOSPHOR BRONZE.
HOUSING: GLASS-FILLED POLYESTER.
- 2 GENERAL PLATING SPECIFICATION: UNDERPLATING
(ENTIRE CONTACT): 1.27µm MIN NICKEL AND ACTION
PIN: 0.5µm MIN TIN.
FOR PLATING OF MATING SURFACES SEE APPLICABLE
SPECIFICATION REFERENCE FOR EACH DASH NUMBER.
- 3 CONFORMS TO ALL TESTING ACCORDING TO IEC 61076-4-101
PERFORMANCE LEVEL 2.
- 4 CONFORMS TO ALL TESTING ACCORDING TO IEC 61076-4-101
PERFORMANCE LEVEL 1.
- 5 CONNECTOR TESTED AND QUALIFIED AGAINST TELCORDIA GR-1217-CORE QUALITY LEVEL 3,
CENTRAL OFFICE APPLICATIONS.
- 6 CONNECTOR TESTED AND QUALIFIED AGAINST TELCORDIA GR-1217-CORE QUALITY LEVEL 3,
UNCONTROLLED ENVIROMENT APPLICATIONS.
- 7 CONNECTOR MARKED WITH PART NUMBER AND DATE CODE.
ADDITIONAL CHARACTERS OR MARKINGS, AS WELL AS THE LOCATION OF THE MARKINGS,
MAY BE ADDED FOR TRACEABILITY BASED UPON MANUFACTURERS DISCRETION.
- 8 PLATED-THROUGH HOLES AT 2x2mm SQUARE GRID
PATTERN DEFINED BY CONTACT LAYOUT.
- 9 FOR ACTUAL PIN LOADING SEE "CONTACT LAYOUT".
- 10 FOR ACTUAL PIN DIMENSIONS SEE "CONTACT DIMENSIONS".
- 11 TO BE MEASURED AT BOTTOM OF SHROUD.
- 12 CONNECTOR LUBRICATED WITH BELCORE APPROVED LUBRICANT,
TECHNICAL REFERENCE: TR-NWT-001217 ISSUE 1, SEP 1992.

THIS DRAWING IS A CONTROLLED DOCUMENT.		DIN B CARBO	29JUL05	tyco Electronics	Tyco Electronics Corporation Harrisburg, Pa 17105-3608	
		CHK G SKIPPER	29JUL05			
DIMENSIONS: mm		TOLERANCES UNLESS OTHERWISE SPECIFIED:		APVD G SKIPPER	NAME	
		0 PLC	± -	PRODUCT SPEC	MALE ASSEMBLY, Z-PACK 2mm HM, TYPE A/B	
		1 PLC	± 0.1	108-19082		
		2 PLC	± -	APPLICATION SPEC		
		3 PLC	± -	114-19029		
MATERIAL SEE SHEET 1		FINISH SEE SHEET 1		4 PLC	± -	RESTRICTED TO
				ANGLES	± -	SIZE
				WEIGHT	-	CAGE CODE
				APPROVAL	A1 00779	DRAWING NO
				CUSTOMER DRAWING	C=5646532	SCALE
						4:1
						SHEET
						2
						OF
						2
						REV
						0